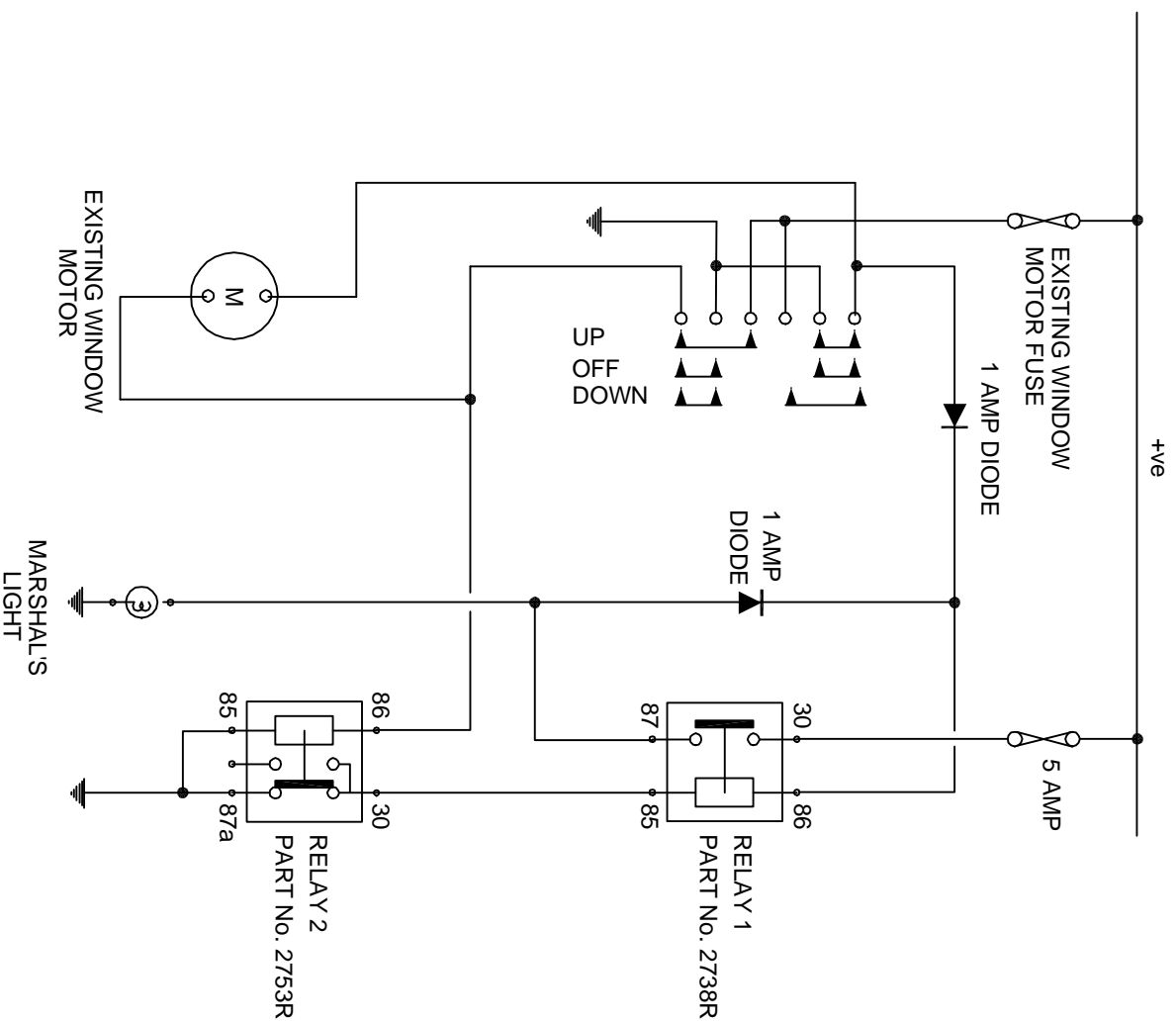




PoleVolt Ltd



CIRCUIT DIAGRAM FOR RALLY MARSHAL'S LIGHT

COLOUR CODE

- B = BLACK
- G = GREEN
- U = BLUE
- N = BROWN
- R = RED
- P = PURPLE
- S = SLATE (GREY)
- W = WHITE
- K = PINK
- O = ORANGE
- Y = YELLOW
- L = LIGHT